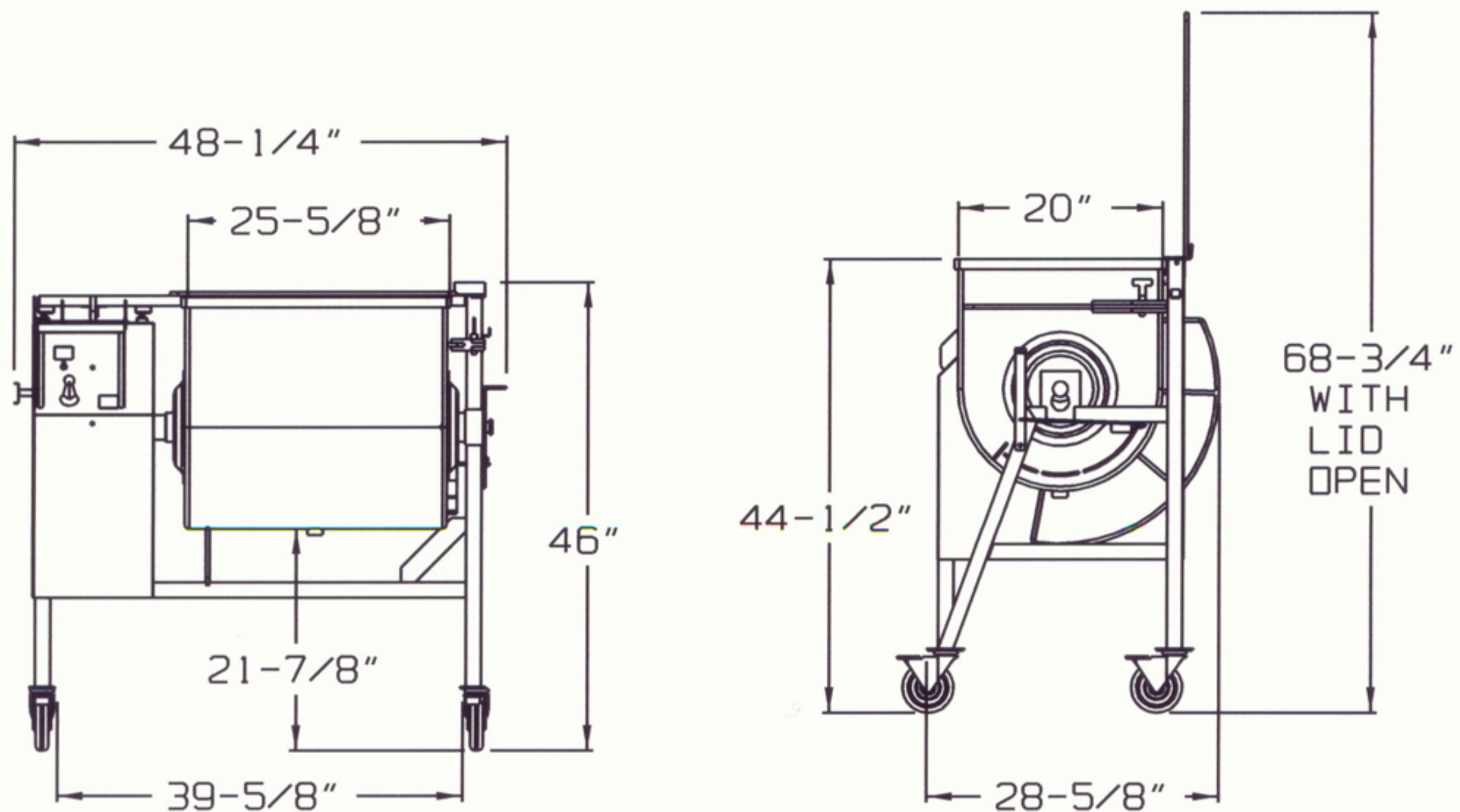


# DANIELS FOOD EQUIPMENT

## DMX and DMX QUAD 200 MIXER



### SPECIFICATIONS

<b>MOTOR:</b>	<b>STANDARD:</b> 1-1/2 HP, 3 PH, 230 VOLT, 60 Hz, 5.0 AMP <b>OPTIONAL:</b> 1-1/2 HP, 3 PH, 208/460 VOLT, 60 Hz, 5.2/2.5 AMP <b>OPTIONAL:</b> 2 HP, 1 PH, 115 VOLT, 60 Hz, 20 AMP <b>OPTIONAL:</b> 2 HP, 1 PH, 230VOLT, 60 Hz, 10 AMP
<b>PADDLE RPM:</b>	<b>DMX:</b> 24 RPM <b>DMX QUAD:</b> INNER 24 RPM, OUTER 22-1/2 RPM
<b>TIMER:</b>	LED READOUT – HOURS and MINUTES
<b>DIRECTION CONTROL:</b>	FORWARD-STOP-REVERSE
<b>HOPPER CAPACITY:</b>	200-LBS
<b>HOPPER CONSTRUCTION:</b>	12 GA STAINLESS STEEL, 110° DUMPING, REMOVABLE PADDLE, CLEANOUT DRAIN ON BOTTOM, TRANSPARENT COVER WITH SAFETY LOCKOUT.
<b>FRAME:</b>	11 GA STAINLESS STEEL TUBING, OPEN UNDER HOPPER FOR EASY DUMPING, LOCKING SWIVEL CASTERS.
<b>DUMP HEIGHT:</b>	16-1/4"
<b>WEIGHT:</b>	<b>DMX:</b> 375-LBS, SHIPPING INFO: 425-LBS, SIZE: 52" X 32" X 48" HIGH <b>DMX QUAD:</b> 395-LBS, SHIPPING INFO: 445-LBS, SIZE: 52" X 32" X 48" HIGH

### **DANIELS FOOD EQUIPMENT**

310 NORTH CLAYBORN AVE. PARKERS PRAIRIE, MN. 56361 PHONE: (218) 338-5000 FAX (218) 338-5909

WEB: [www.danielsfood.com](http://www.danielsfood.com)

E-MAIL: [danielsfood@midwestinfo.net](mailto:danielsfood@midwestinfo.net)