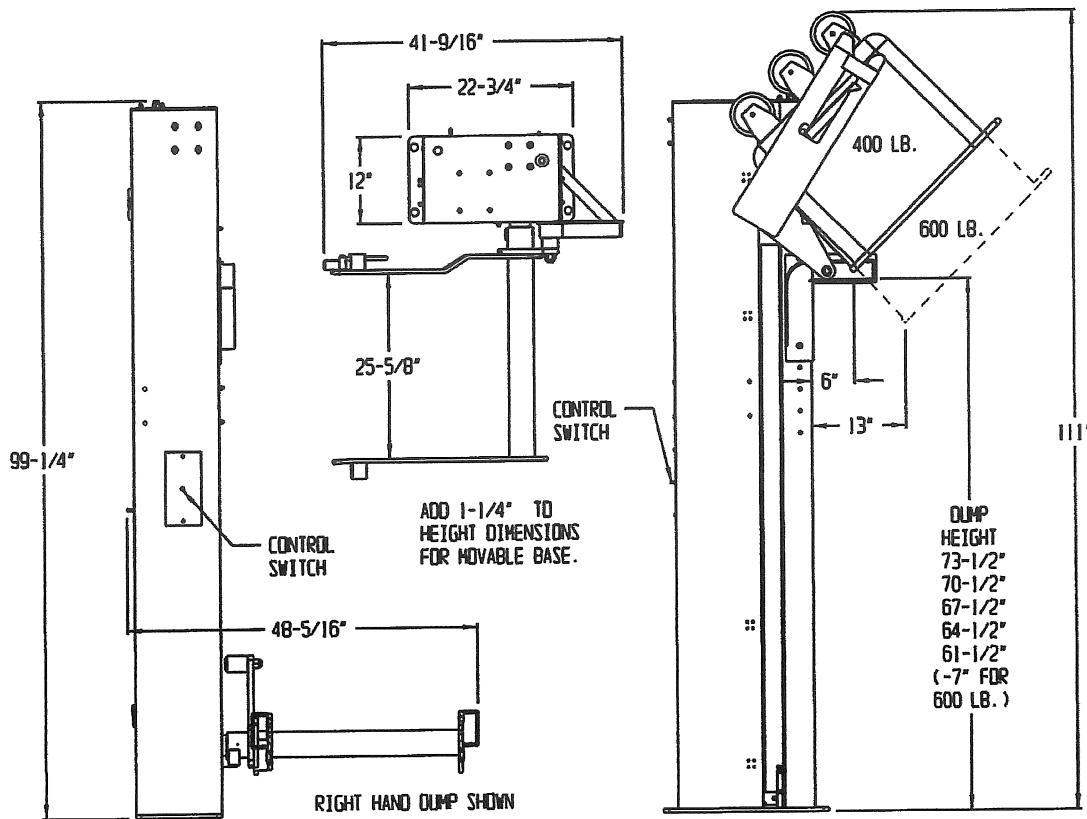


DANIELS FOOD EQUIPMENT

COLUMN DUMP



SPECIFICATIONS

- MOTOR:** 1.5 HP, 208/230/460 VOLT, 5.8/5.4/2.7 AMP, 3-PHASE, 60 CYCLE
- FRAME:** HEAVY GAUGE STAINLESS STEEL CONSTRUCTION
- LIFT CAPACITY:** 400lb-600lb V MAG STYLE CART
- WEIGHT:** 1225 LBS. SHIPPING WEIGHT

DANIELS FOOD EQUIPMENT

310 NORTH CLAYBORN AVE. PARKERS PRAIRIE, MN. 56361 PHONE: (218) 338-5000 FAX (218) 338-5909.
 WEB: www.danielsfood.com E-MAIL: danielsfood@midwestinfo.net