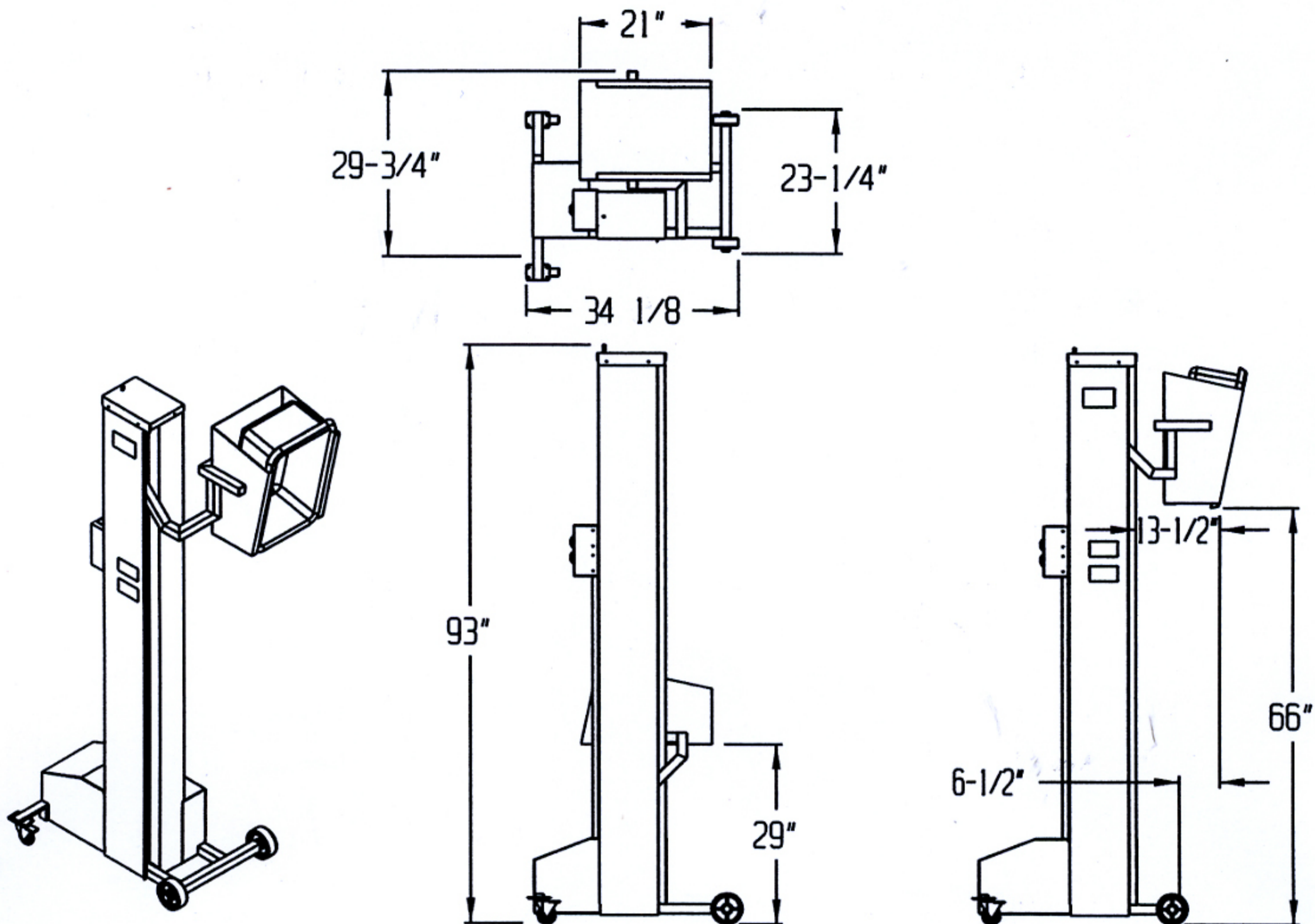


DANIELS FOOD EQUIPMENT

TOTE DUMP



SPECIFICATIONS

MOTOR:	½ HP, 115 VOLTS, 8.8 AMPS, SINGLE PHASE, 60 CYCLE
FRAME:	HEAVY GAUGE STAINLESS STEEL CONSTRUCTION
LIFT CAPACITY:	UP TO 100 LBS. Dump Height 66"
WEIGHT:	510 LBS. SHIPPING WEIGHT.

DANIELS FOOD EQUIPMENT

310 NORTH CLAYBORN AVE. PARKERS PRAIRIE, MN. 56361 PHONE: (218) 338-5000 FAX (218) 338-5909.
WEB: www.danielsfood.com E-MAIL: danielsfood@midwestinfo.net