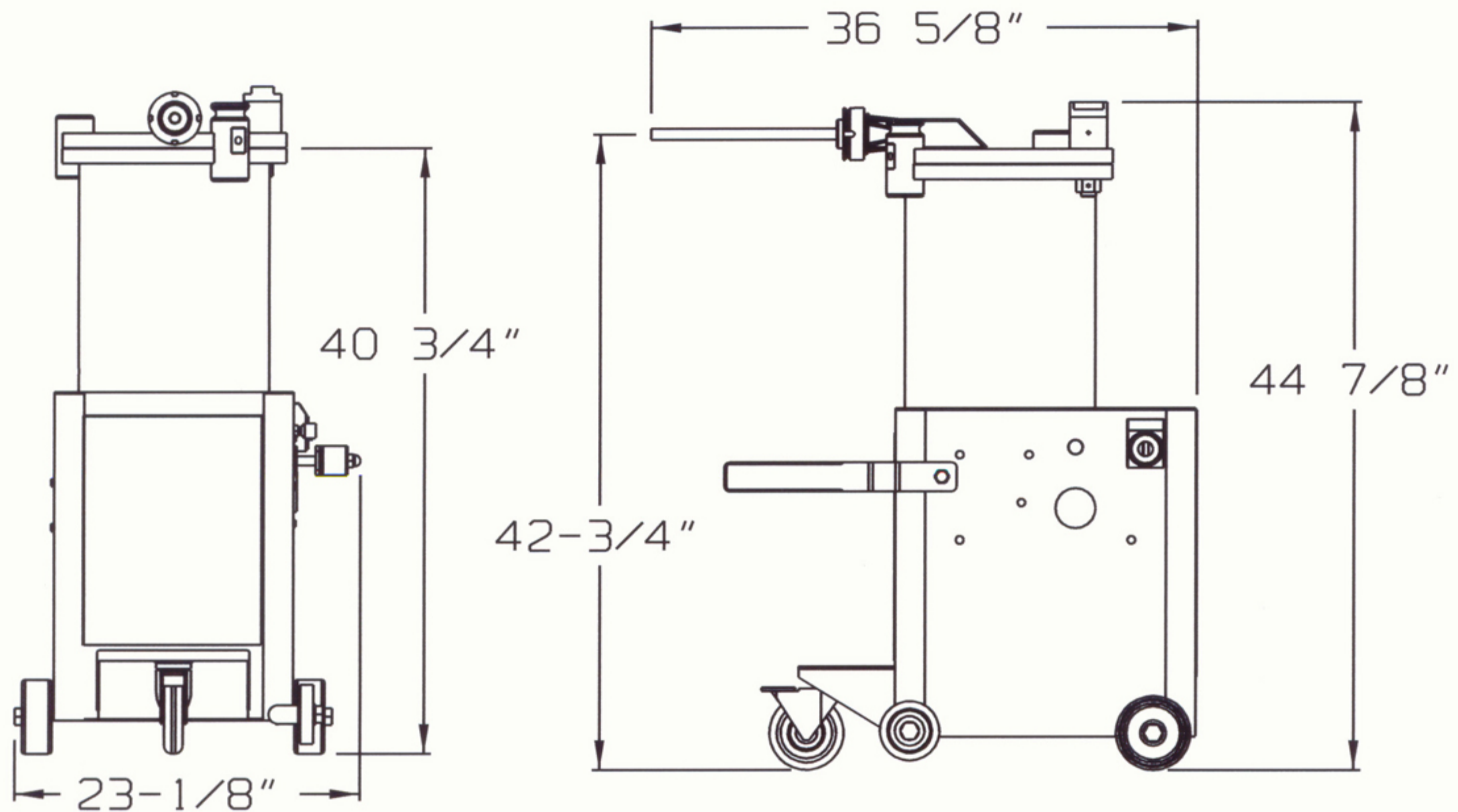


# DANIELS FOOD EQUIPMENT

## DFS-55 HYDRAULIC STUFFING MACHINE



### SPECIFICATIONS

<b>CAPACITY:</b>	55-LBS. (25 LITERS)	<b>MOTOR:</b>	1.5HP, 230 VOLT, 60 Hz, 3 PHASE, 4.6 AMP (STANDARD) 1.5HP, 220 VOLT, 60Hz, 1 PHASE, 8.6 AMP (OPTIONAL WITH UPCHARGE)
<b>EXTRUDING NOZZLES: (STANDARD)</b>	7/16" OUTSIDE DIAMETER * P/N 50050-01 1/2" OUTSIDE DIAMETER * P/N 50050-02 3/4" OUTSIDE DIAMETER * P/N 50050-04 1-1/4" OUTSIDE DIAMETER * P/N 50050-06 *SHIPPED WITH MACHINE	<b>CONTROLS:</b>	PRESSURE/FLOW ADJUSTMENT (CONTROL KNOB), 3 POSITION KNEE PEDAL OPERATION
<b>EXTRUDING NOZZLES: (OPTIONAL)</b>	5/8" OUTSIDE DIAMETER P/N 50050-03 1" OUTSIDE DIAMETER P/N 50050-05 1-1/2" OUTSIDE DIAMETER P/N 50050-07 JERKY STUFFING NOZZLE P/N 50025 MM CALIBRATED HORNS (P.O.R.) 7/16" DOUBLE BEEF STICK HORN P/N 50161 1/2" DOUBLE BEEF STICK HORN P/N 50612	<b>ACCESSORIES:</b>	SAUSAGE MAKING TABLES (3' X 4'. 3' X UP TO 10', P.O.R.)
<b>PISTON MATERIAL:</b>	STAINLESS STEEL & PLASTIC	<b>HYDRAULIC OIL:</b>	SHELL HYDROL DO46 OR EQUIVALENT. OIL FILTER P/N 20460
<b>OIL RESERVOIR:</b>	4 GALLON CAPACITY, SELF-CONTAINED	<b>WEIGHT:</b>	410-LBS. (WITH OIL)

### DANIELS FOOD EQUIPMENT

310 NORTH CLAYBORN AVENUE, PARKERS PRAIRIE, MN 56361 PHONE: (218) 338-5000 FAX (218) 338-5909  
WEB: [www.danielsfood.com](http://www.danielsfood.com) E-MAIL: [danielsfood@midwestinfo.net](mailto:danielsfood@midwestinfo.net)